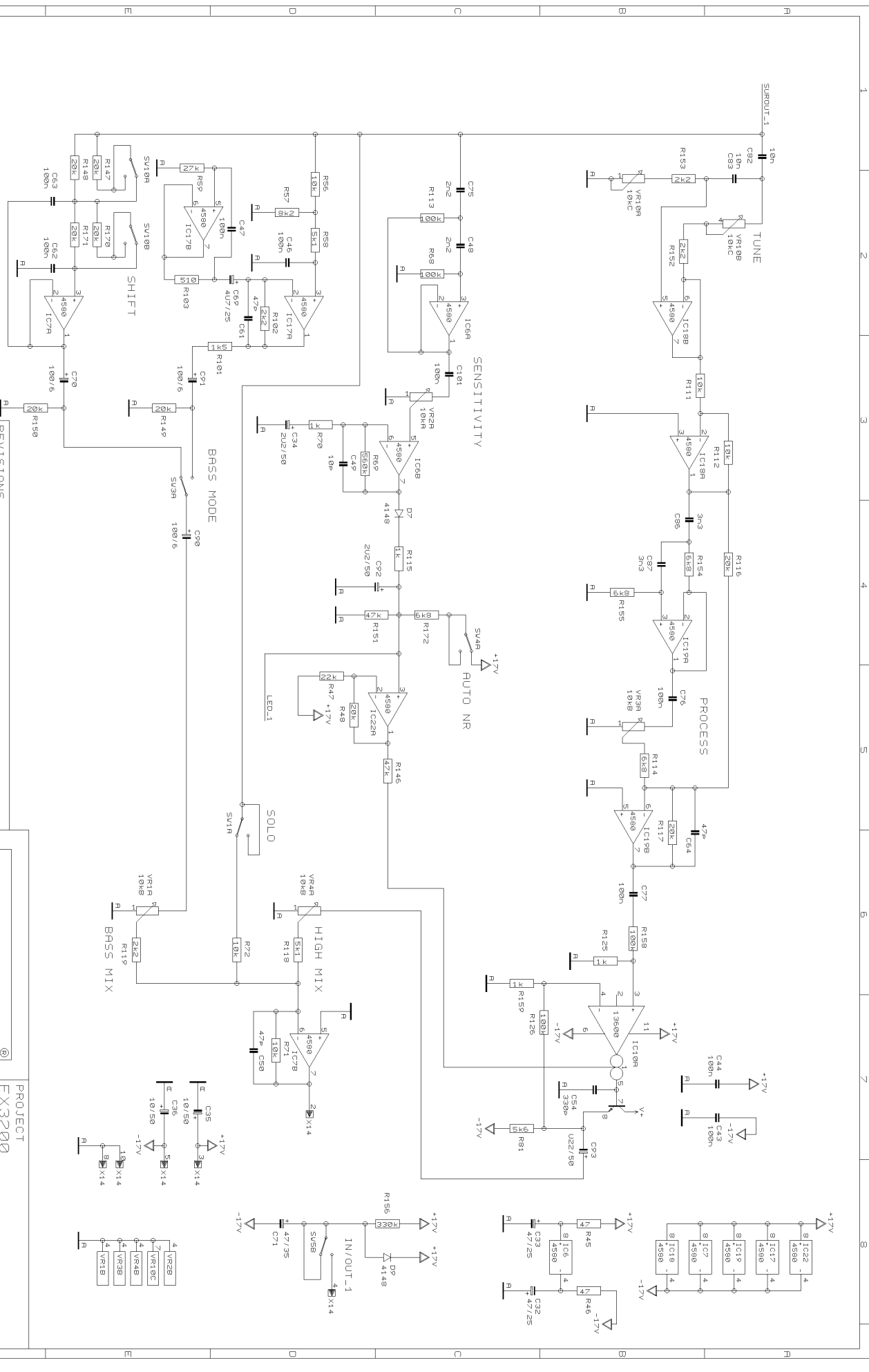


REVISIONS			
G			
DRAWN	CHECKED	DATE	25.01.1
		8:53	

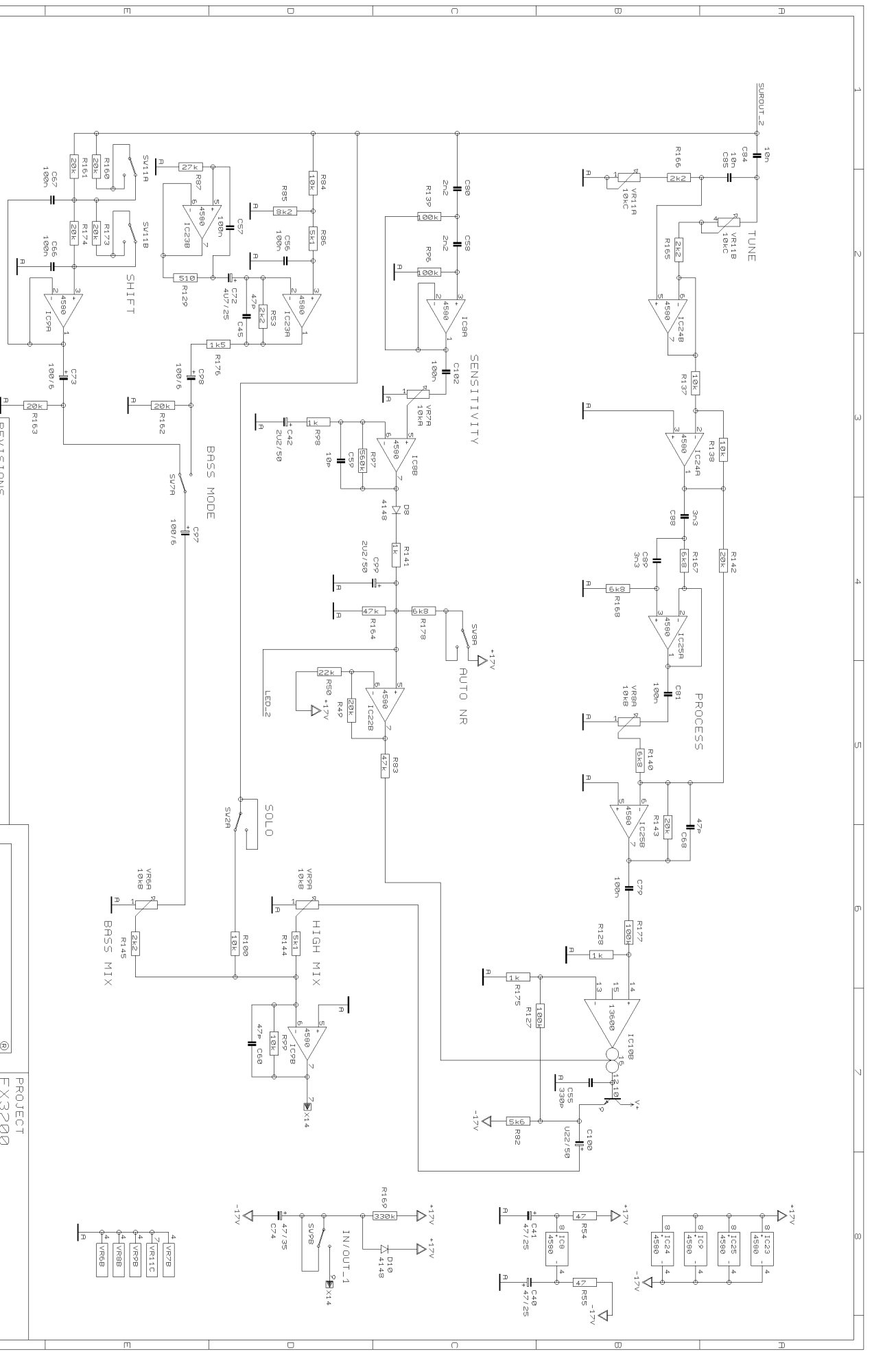
BEHRINGER
Specialized Studio Equipment

PROJECT
EX3200
INPUT/OUTPUT SECTION
CHANNEL 1&2
SHEET 1 OF 5 SHEETS TOTAL



REV	DESCRIPTION	DATE
G	REVISIONS	25.01.1
	DRAWN	8:53
	CHECKED	

PROJECT: BEHRINGER EX3200 PROCESS SECTION CHANNEL 1
 Specialized Studio Equipment
 SHEET 2 OF 5 SHEETS TOTAL



REVISIONS

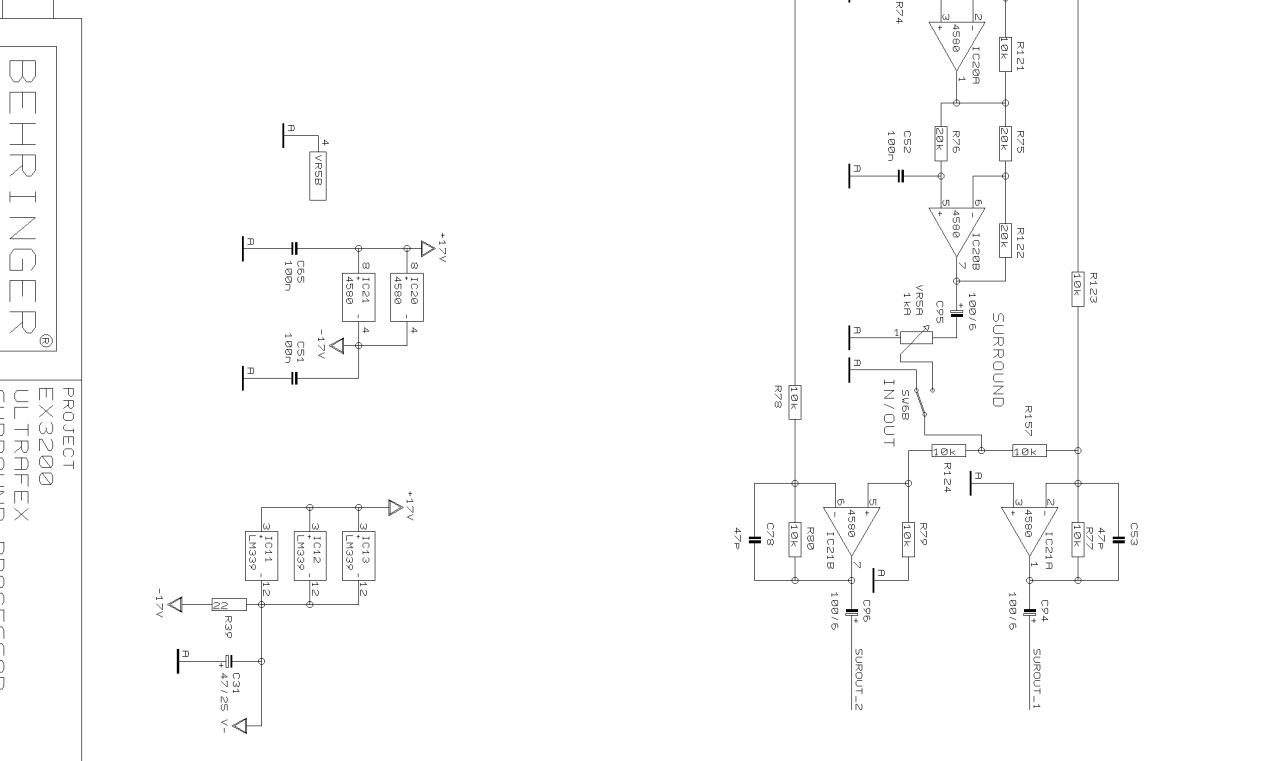
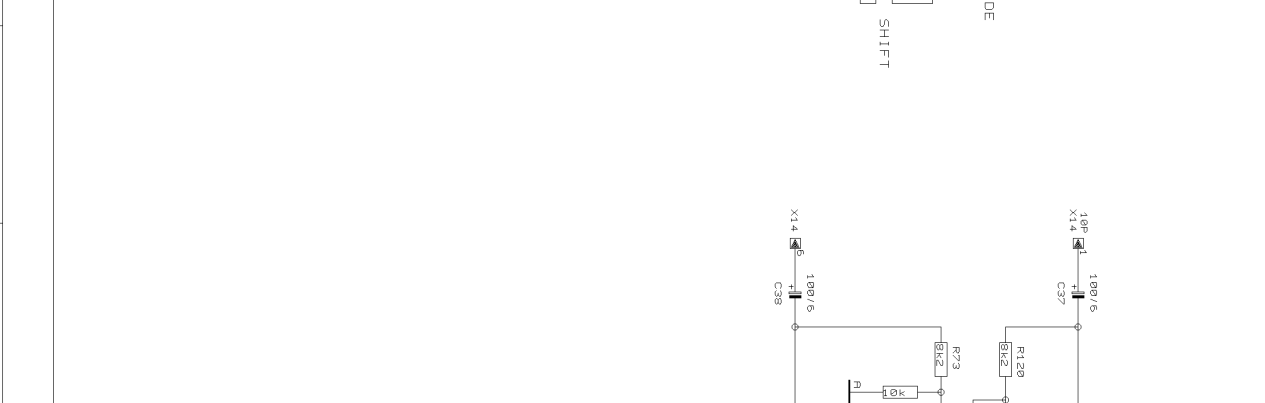
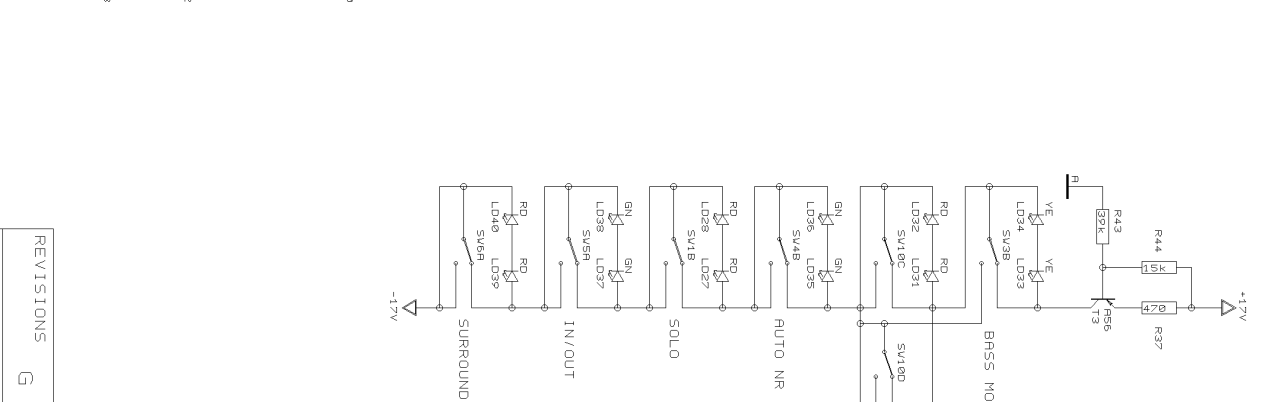
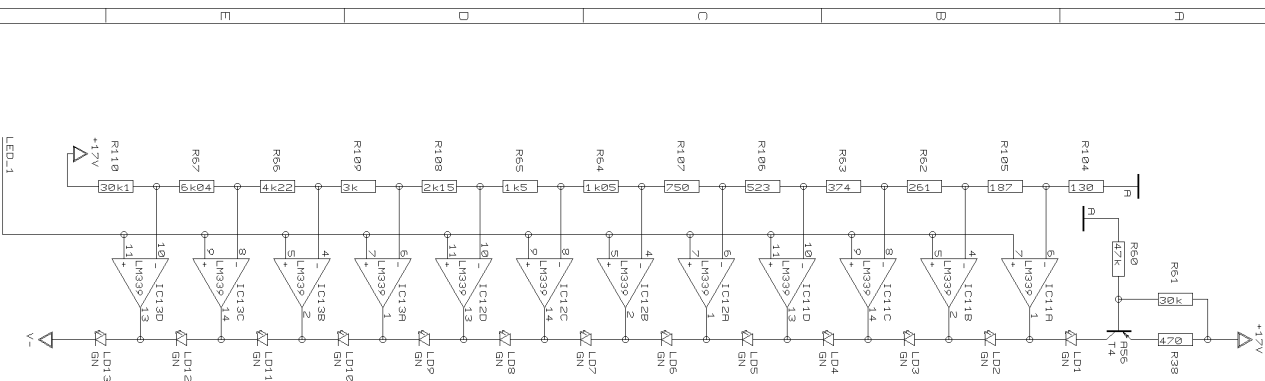
G	CHECKED	DATE 25.01.1
DRAWN		8:53

PROJECT
EX3200
PROCESS SECTION
CHANNEL 2

Specialized Studio Equipment

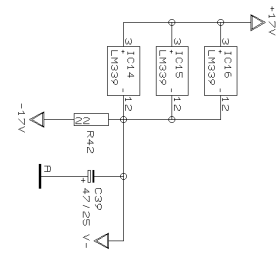
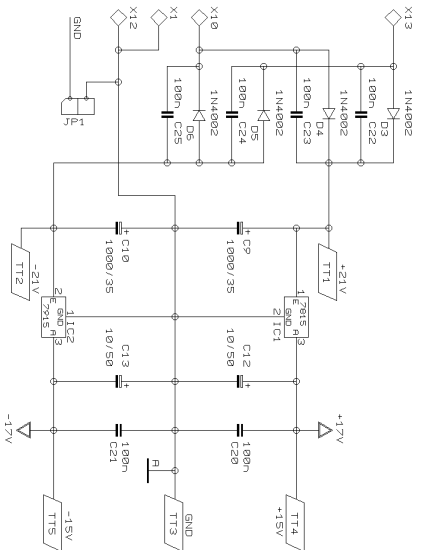
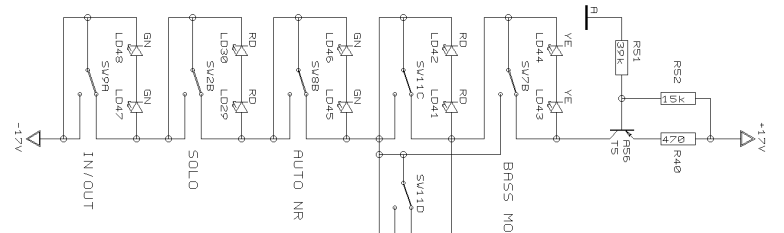
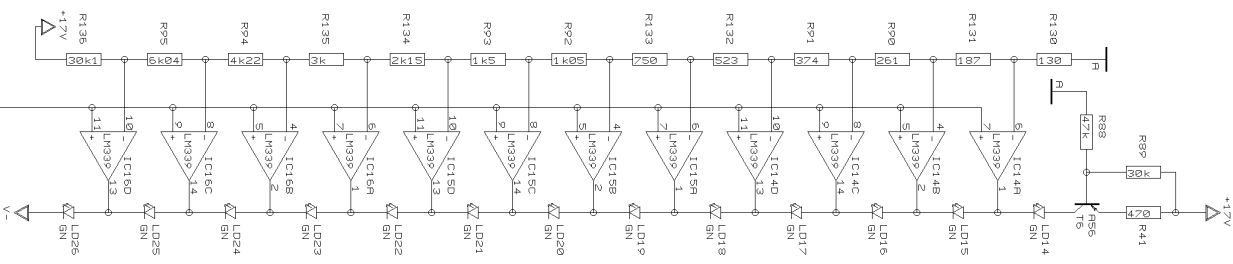
SHEET 3 OF 5 SHEETS TOTAL





REV	DESCRIPTION	DATE	BY
1	INITIAL RELEASE	01.01.25	1

REVISIONS G
 DRAWN CHECKED DATE 25.01.1 8:53
 BEHRINGER®
 EX3200 ULTRAFEX SURROUND PROCESSOR
 Specialized Studio Equipment
 SHEET 4 OF 5 SHEETS TOTAL



REVISIONS

NO.	DESCRIPTION	DATE
1	DRAWN	25.01.1
2	CHECKED	8:53

BEHRINGER®
Specialized Studio Equipment

PROJECT
EX3200
ULTRAFLEX
POWER SUPPLY
SHEET 5 OF 5 SHEETS TOTAL